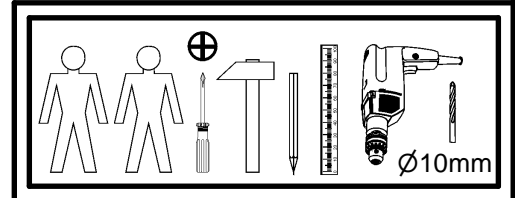
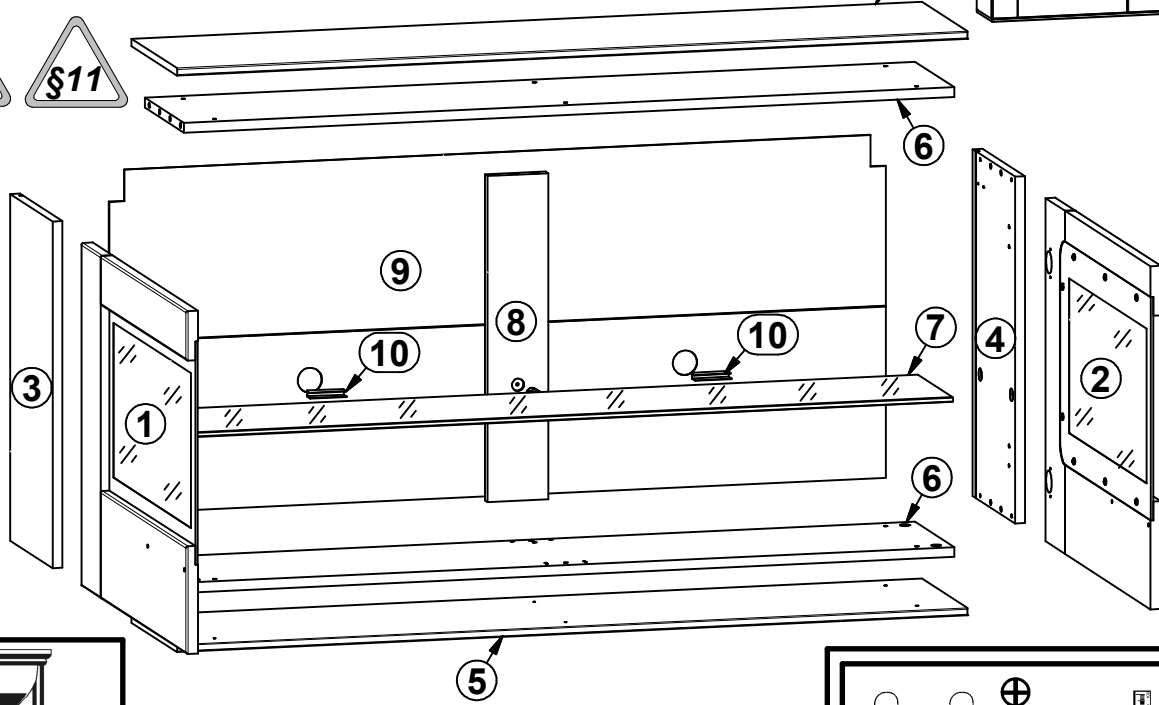
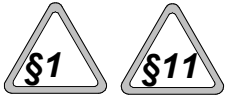
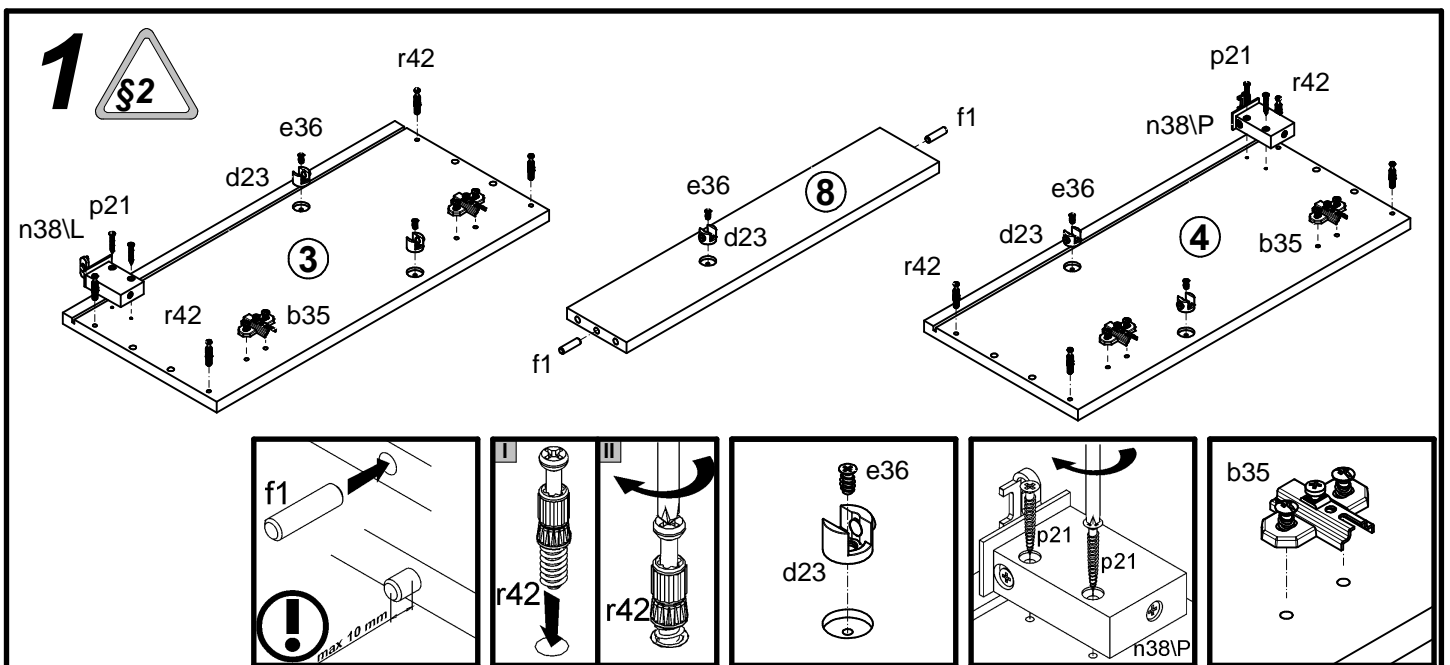
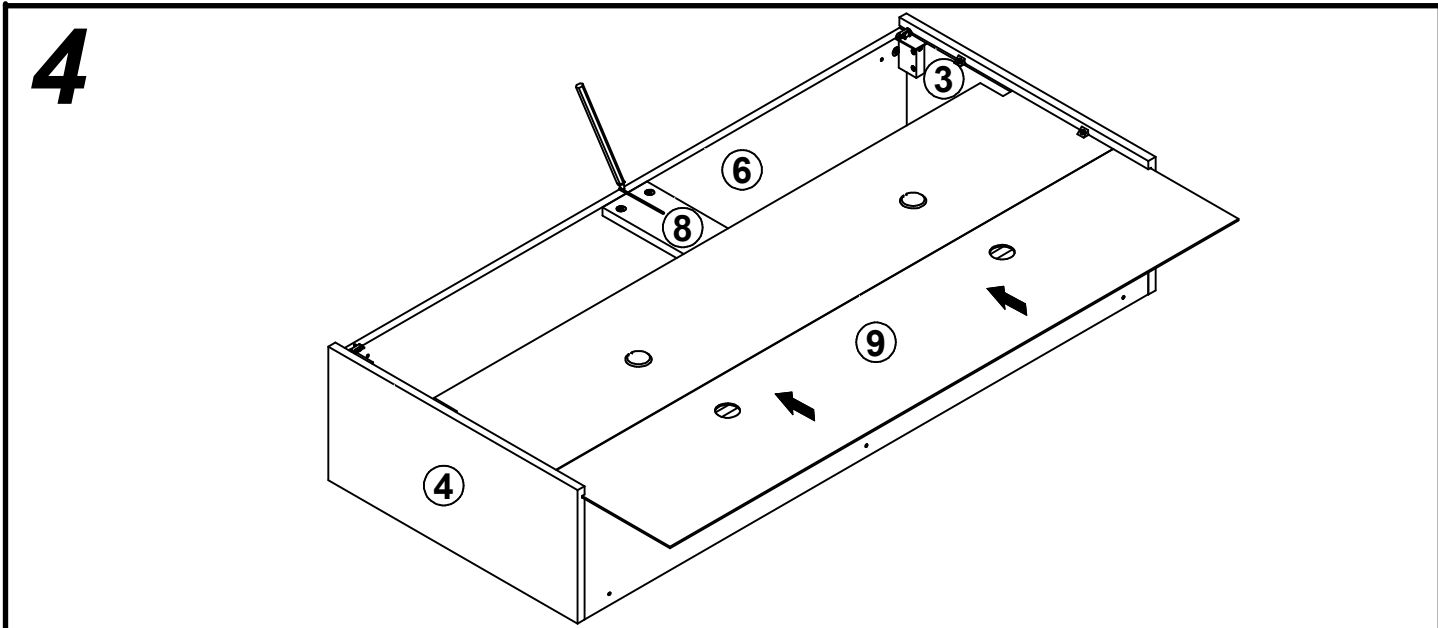
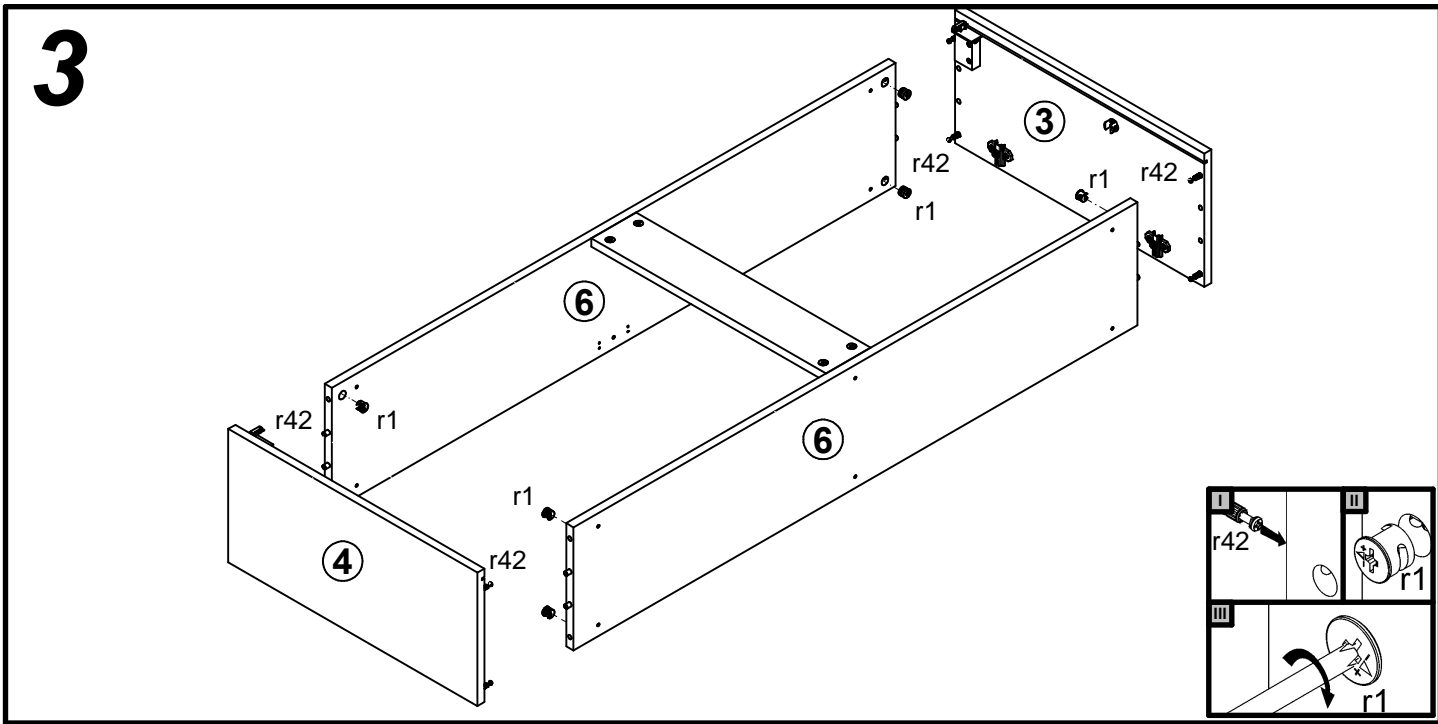
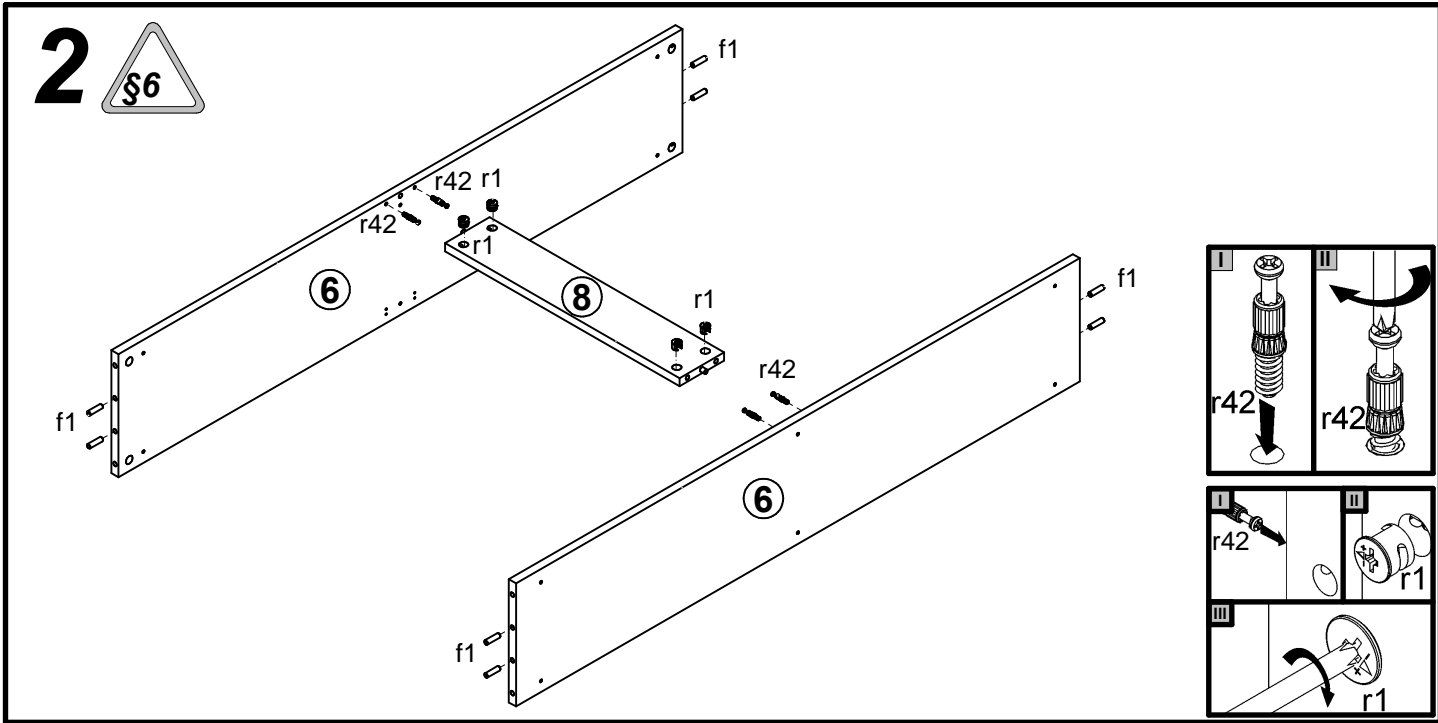


A	B	C	D	A	B	C	D		
1	S145-002	554	646	2/2	6	S145-308	1267	240	1/2
2	S145-003	554	646	2/2	7	S145-309	1266	215	1/2
3	S145-105	560	260	1/2	8	S145-403	527	100	1/2
4	S145-106	560	260	1/2	9	S145-9901	1277	555	1/2
5	S145-205	1300	280	1/2	10	qb20V2	LED		1/2

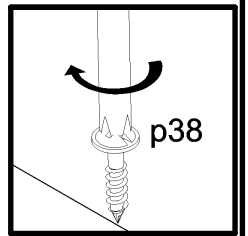
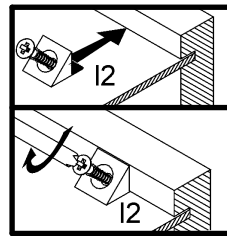
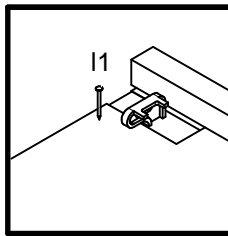
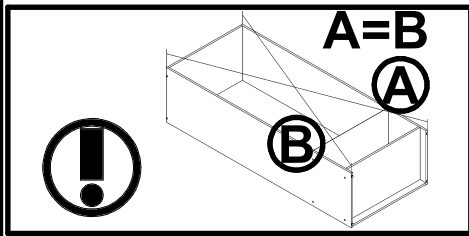
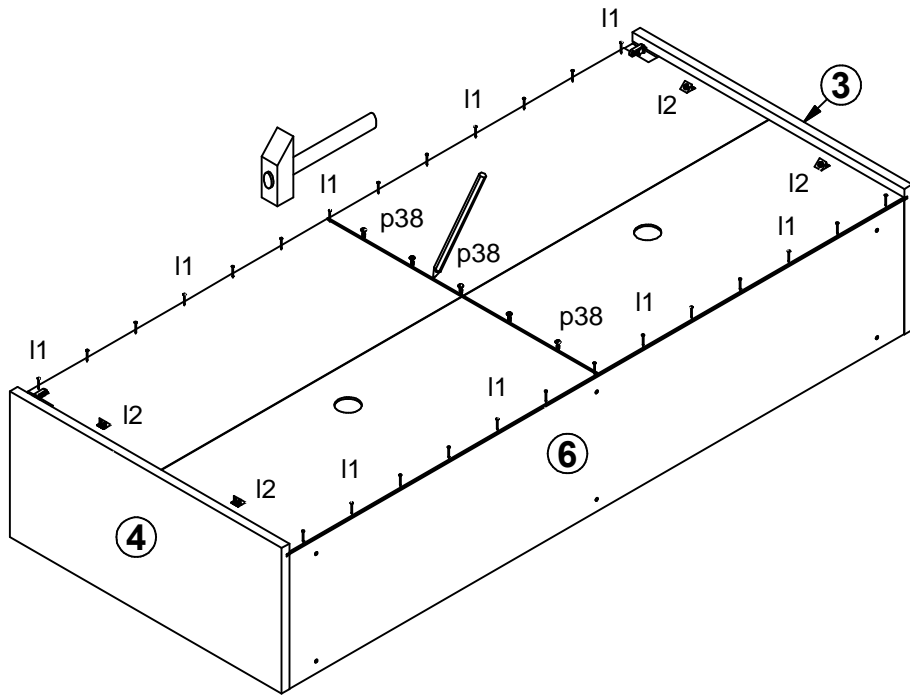


4x a44	4x b35	2x c322	5x d23	5x e36 φ6.0x11 mm	10x f1 φ8x30 mm	2x f35 φ10x50 mm	30x l1	4x l2
2x m32	2x m34	1x n38/L	1x n38/P	4x p1 φ3.5x13 mm	4x p10 φ4x40 mm	4x p21 φ4x30 mm	5x p38 φ3.5x16 mm	8x p51 φ3.5x15 mm
2x p75 φ5x60 mm	12x p8 φ4x25 mm	12x r1 φ1.5x12mm #16	12x r42	8x s2 ø16	2x s53			

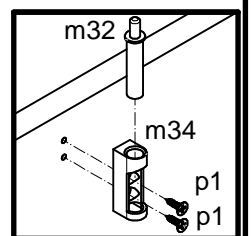
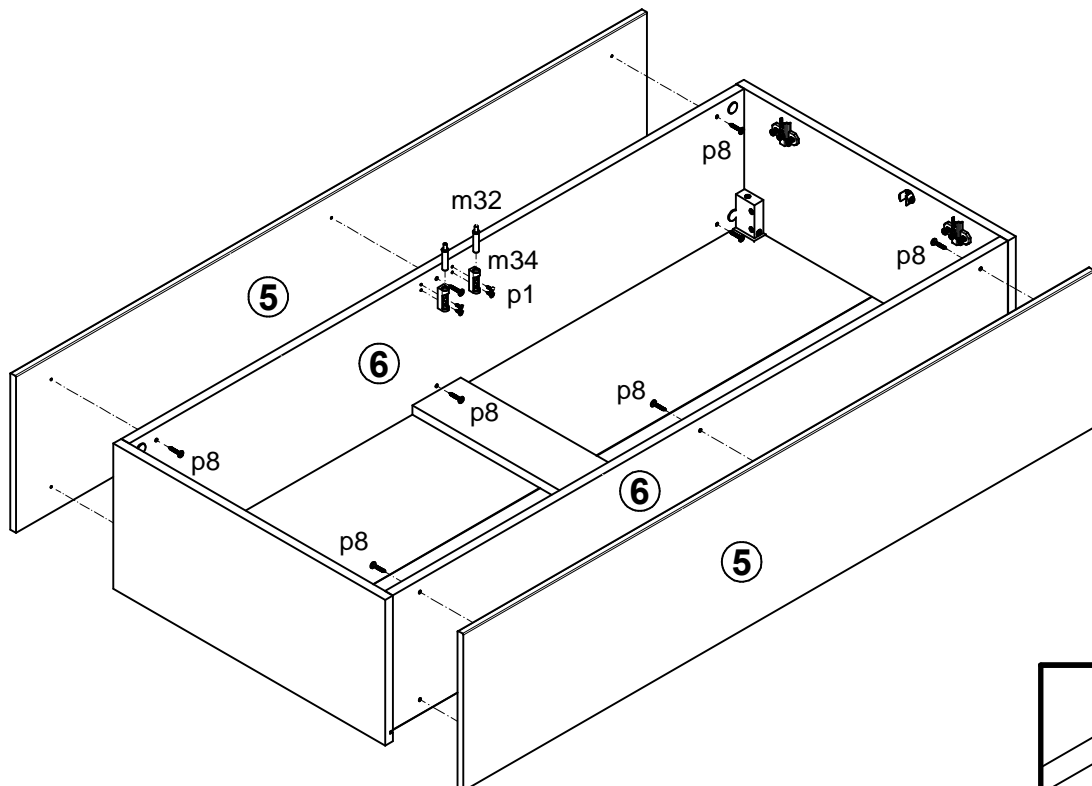




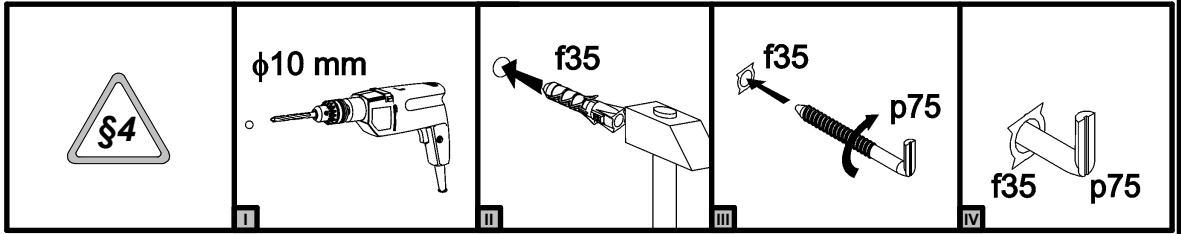
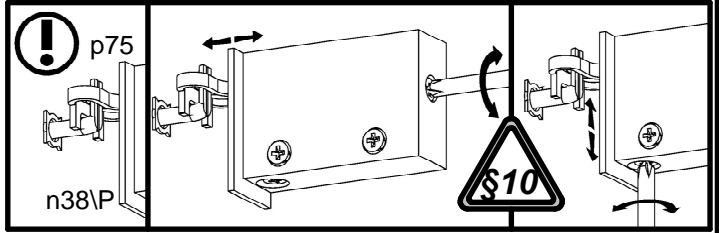
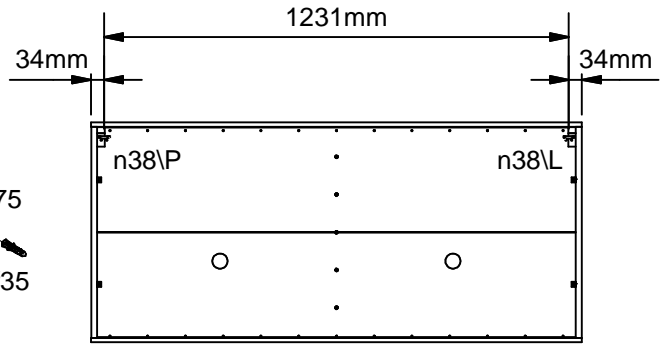
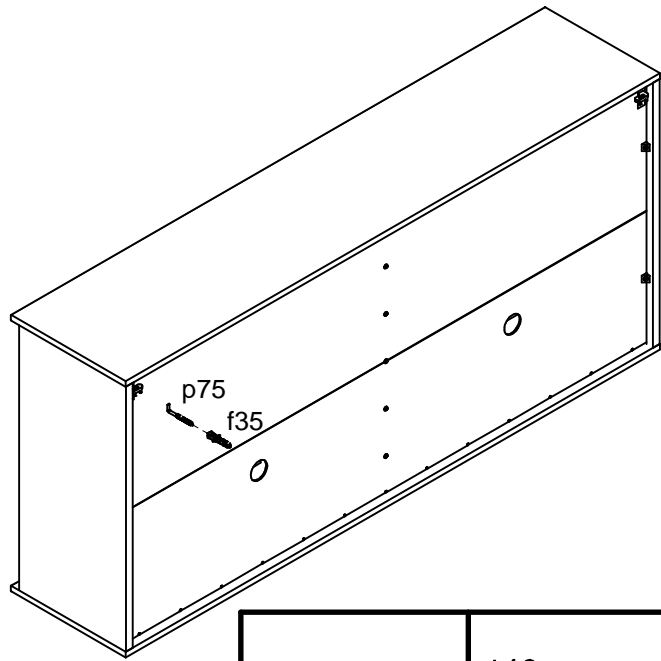
# 5



# 6



# 7



# 8

§11

